

# Colchester Local Highway Panel Meeting Agenda

Date: Friday 13<sup>th</sup> February 2015

Time 16.00 hrs

**Public Meeting - Wivenhoe House Hotel.**

**Chair** CC Member Anne Brown/Colchester Cllr Nick Barlow

**Panel Members** CC Member Kevin Bentley, CC Member Julie Young, CC Member Sue Lissimore, Colchester Cllr Lesley Scott-Boutell, Colchester Cllr Theresa Higgins, Colchester Cllr William Quince, Parish Cllr John Gili-Ross

**Other Attendees** ECC Officer Alan Lindsay Strategy & Engagement Manager, ECC Officer, Rob Macdonald Highways Liaison Officer, Sonia Church Highways Liaison Manager,

**Secretariat:** Richard Clifford (CBC)

Time		Item	Lead:	Papers:
	1	Welcome and Introductions	Chair	Verbal
	2.	Declarations of Interest	All	Verbal
	3.	Minutes of meeting held on 10th September 2014 to be agreed as correct record	Chair	Attached
	4.	Potential Schemes for consideration of Panel <ul style="list-style-type: none"><li>Improvement schemes</li></ul>	All	Attached
	5.	Colchester District Approved Scheme List - Any queries please contact <a href="mailto:Sonia.church@essexhighways.org">Sonia.church@essexhighways.org</a>	All	attached
	6.	AOB	All	Verbal
	7.	Date of next meetings: March TBC 2015 June TBC 2015 September TBC 2015	All	Verbal

## Public question time:

Immediately after the minutes of the previous meeting have been approved there will be a period of up to 15 minutes when members of the public can speak for up to three minutes on items on the agenda. Members of public wishing to speak should contact Rob Macdonald by e-mail [Rob.Macdonald@essexhighways.org](mailto:Rob.Macdonald@essexhighways.org) or 0845 6037631 prior to the meeting.

	A	B	C	D	E	F	G	H	I	J
1	<b>Scheme Schedule:</b>									
2	All Schemes									
3			Original Budget	£1,000,000		CAPITAL spent	£0		CAPITAL Remaining	£1,000,000
4			% allocated	0%		REVENUE spent	£0		REVENUE remaining	£129,000
5										
6	Capital or Revenue	Ref	Location	Description	Requested by	Scheme Category	Scheme stage	Cost Code	Allocated Budget	Comments
7	ps		The strood	Option 1 - Fixed Signing. Standard warning signs on all approaches with a sub plate stating 'Road liable to flooding' these have been provided on grey backing boards to increase visibility. A 'Try your brakes warning triangle' has been shown on the back of each assembly for vehicles leaving the causeway. • Depth Markers on each approach, in order for these to be effective a full level survey of the length will need to be undertaken to ensure that they are set to show the water level at the deepest point.	LHP	Traffic Management	Implementation	LCOL142084	£10,000	(Please see Technical Note DC1711) This option has a number of benefits over the options including: • No Legal implications – drivers make their own assessment. • No maintenance implications (over and above any other standard signing) • No maintenance implications (over and above any other standard signing) • DFT approval not required • Shorter implementation time (all standard off the shelf elements). • Low cost solution
8	PS		Riverside Estate	Feasibility design for 20mph limit/zone - LHP requested minimal signage	RIVERSIDE ESTATE RESIDENTS ASSOCIATION	Traffic Management	Feasibility	LCOL142085	£3,000	Lit terminal signs and repeaters will have to be installed once a public consultation is carried out. Speed Survey Results: Guildford Road: Southbound 7 day average speeds: 25.3mph Northbound 7 day average speeds: 24.4mph  Worcester Road: Eastbound 7 day average speeds: 16.5mph Westbound 7 day average speeds: 17.0mph  Lincoln Way: Southbound 7 day average speeds: 16.9mph Northbound 7 day average speeds: 16.1mph  Exeter Drive: Eastbound 7 day average speeds: 19.9mph Westbound 7 day average speeds: 19.9mph
9	ps		London Road jct Lucy Lane South	Feasibility, studies, Modelling and detailed design	Clr Scott-Boutell	Traffic Management	Studies	LCOL142135	£15,000	Junction redesign completed (DC3333). The suggestion is to remove the existing Zebra and install Traffic Signals at the junction and relocate the existing Bus Stop. The Traffic Signals will control the vehicles and still allow pedestrians to cross.
10	ps		Goojerat Road/ Circular Road West	zebra crossing	Clr Barton	Traffic Management	Total scheme	LCOL142021	£40,000	The PV <sup>2</sup> score warrants a crossing at this location, the road is straight and visibility on both approaches is good. There is currently an uncontrolled crossing point at this location (width 3m) and footway width on both sides are good, there is plenty of verge to install beacons and additional street lighting

	A	B	C	D	E	F	G	H	I	J
11	ps		Warren Lane, Stanway	Feasibility for footpath	Cllr J Scott-Boutell	Traffic Management	Feasibility	LCOL142092	£5,000	There would need to be some consultation with the residents at the cottage discussing whether they would be willing to donate 1.8m of the frontages so that a footway could be constructed. It is thought the best way forward at this point would be a feasibility study to determine whether the residents would be open to donating some land and also determine what the cost of constructing a footway would be.
12	ps		Ardleigh road, Dedham	VAS	Dedham PC and Cllr Brown	Traffic Management	Total scheme	LCOL142124	£9,500	The speeds on Ardleigh road meet the criteria for a VAS in both directions. However there is an existing VAS opposite the junction of Hunters way therefore it is recommended to install 1 x VAS on Ardleigh road.
13	ps		Northern Approach Road	PV2	Cllr Goss	Walking	Studies	LCOL142133	£900	There are numerous parents and young children who try to cross from Wallace Road at the Northern Approach Road to attend Queen Boudica School on the Northfields estate as there is a direct route
14	ps		Monkwick Estate	Feasibility	Cllrs Mudie/ Barton	Cycling	Feasibility	LCOL144001	£3,000	Cycle route to and from schools feasibility study be carried out to determine whether a cycle route can be established
15	ps		Maldon Road/Butts Road ladder roads	20 MPH	Cllr lissimore	Traffic Management	Total scheme	LCOL142136	£15,000	The speed compliance on these roads are excellent and already fall near to (and under in some circumstances) 20mph. It seems an unnecessary expense to formalise speeds that are already being achieved. Beaconsfield Road: SE bound 23.3 NW bound 18.3 Salisbury Avenue: SE bound 23.9 Errington Road: SE bound 23mph NW bound 19.4 Hamilton Road: SE bound 19 NW bound 16.4 Constantine Road: SE bound 21 NW bound 14.5 St. Helena Road: S bound 22.9 N bound 20.1
16	ps		Culver Street Colchester	Dropped Kerbs x 4	Cllr lissimore/Cllr Quince	Traffic Management	Total scheme	LCOL142115	£10,000	This is a conservation area by the looks of it so granite kerb will be needed



150014013032, Underwoods Garage, West Mersea	West Mersea	Mon 31/03/14	04/09/13	LCOL135020	Old green pole replace with new	£750.00
150014013033, The Fountain, West Mersea	West Mersea	Fri 20/12/13	04/09/13	LCOL135021	Remove old old pole and replace with new infrastructure	£750.00
150014013035, East Mersea Road, West Mersea	West Mersea	Fri 20/12/13	04/09/13	LCOL135022	Remove old old pole and replace with new infrastructure	£750.00
1500IM2487, Mill Road Corner, West Mersea	West Mersea	Fri 20/12/13	04/09/13	LCOL135023	Remove old old pole and replace with new infrastructure	£750.00
1500IM2487b, Mill Road Corner, West Mersea	West Mersea	Fri 20/12/13	04/09/13	LCOL135024	Remove old old pole and replace with new infrastructure	£750.00
1500IM253, The Fox, West Mersea	West Mersea	Mon 31/03/14	04/09/13	LCOL135025	Remove old old pole and replace with new infrastructure	£750.00
1500IM254, East Road, West Mersea, West Mersea	West Mersea	Fri 20/12/13	04/09/13	LCOL135026	Remove old old pole and replace with new infrastructure	£750.00
1500IM256, The Fountain, West Mersea	West Mersea	Fri 20/12/13	04/09/13	LCOL135027	Remove old old pole and replace with new infrastructure	£750.00
1500IM254B, East Road, opp Seaview Avenue, West Mersea	West Mersea	Sat 20/12/14	04/09/13	LCOL135028	Remove old old pole and replace with new infrastructure	£750.00
1500IM255, East Road, adj Empress Avenue, West Mersea	West Mersea	Mon 31/03/14	04/09/13	LCOL135029	Remove flag from BT pole and Formalise the location of the stop pole, flag and TT case	£750.00
1500IM255B, East Road, opp Empress Avenue, West Mersea	West Mersea	Mon 31/03/14	04/09/13	LCOL135030	Formalise the location of the stop pole, flag and TT case	£750.00
1500IM257, High Street, West Mersea	West Mersea	Mon 31/03/14	04/09/13	LCOL135031	Formalise the location of the stop pole, flag and TT case	£750.00
150014013019, Underwoods Garage (opp), West Mersea	West Mersea	Mon 31/03/14	04/09/13	LCOL135032	Remove flag from BT pole and Formalise the location of the stop pole, flag and TT case	£750.00
150014013023, West Mersea Church, West Mersea	West Mersea	Mon 31/03/14	04/09/13	LCOL135033	Formalise the location of the stop pole, flag and TT case	£750.00
150014013025, Barfield Road, adj Yorick Avenue, West Mersea	West Mersea	Mon 31/03/14	04/09/13	LCOL135034	Formalise the location of the stop pole, flag and TT case	£750.00
150014013026, Kingsland Road, opp Elmwood Drive, West Mersea	West Mersea	Mon 31/03/14	04/09/13	LCOL135035	Formalise the location of the stop pole, flag and TT case	£750.00
1500IM2488, Blue Row, West Mersea	West Mersea	Fri 14/02/14	04/09/13	LCOL135036	Location is unmarked and have no bus stop infrastructure on site. ECC needs to formalise the location of the stop and install a bus stop pole, flag and TT case	£750.00
1500IM253B, The Fox, West Mersea	West Mersea	Mon 31/03/14	04/09/13	LCOL135037	Location is unmarked and have no bus stop infrastructure on site. ECC needs to formalise the location of the stop and install a bus stop pole, flag and TT case	£750.00
150014013031, Wellhouse Farm, West Mersea	West Mersea	Tue 11/02/14	04/09/13	LCOL135038	Location is unmarked and have no bus stop infrastructure on site. ECC needs to formalise the location of the stop and install a bus stop pole, flag and TT case	£750.00
150014013030, Playing Fields, West Mersea	West Mersea	Tue 11/02/14	04/09/13	LCOL135039	Location is unmarked and have no bus stop infrastructure on site. ECC needs to formalise the location of the stop and install a bus stop pole, flag and TT case	£750.00
150014013034, Waldegraves Caravan Park, West Mersea	West Mersea	Tue 11/02/14	04/09/13	LCOL135040	Location is unmarked and have no bus stop infrastructure on site. ECC needs to formalise the location of the stop and install a bus stop pole, flag and TT case	£750.00
150014013Y31, Wellhouse farm, West Mersea	West Mersea	Tue 11/02/14	04/09/13	LCOL135041	Location is unmarked and have no bus stop infrastructure on site. ECC needs to formalise the location of the stop and install a bus stop pole, flag and TT case	£750.00
150014013Y34, Waldegrave Caravan Park, West Mersea	West Mersea	Tue 11/02/14	04/09/13	LCOL135042	Location is unmarked and have no bus stop infrastructure on site. ECC needs to formalise the location of the stop and install a bus stop pole, flag and TT case	£750.00
150014013Y30, Playing Fields, West Mersea	West Mersea	Tue 11/02/14	04/09/13	LCOL135043	Location is unmarked and have no bus stop infrastructure on site. ECC needs to formalise the location of the stop and install a bus stop pole, flag and TT case	£750.00
150014013Y27, The Lawns, West Mersea	West Mersea	Mon 31/03/14	04/09/13	LCOL135044	Location is unmarked and have no bus stop infrastructure on site. ECC needs to formalise the location of the stop and install a bus stop pole, flag and TT case	£750.00
150014013Y35, East Mersea Road, West Mersea	West Mersea	Tue 03/12/13	04/09/13	LCOL135045	Location is unmarked and have no bus stop infrastructure on site. ECC needs to formalise the location of the stop and install a bus stop pole, flag and TT case	£750.00
Greenstead Road		Mon 31/03/2014	04/09/13	LCOL135007	All ten stops need new poles and flags, five of them require new timetables frames.	£6,900.00
Chariot Drive, Colchester	Colchester	Fri 24/01/14	04/09/13	LCOL135010	New wooden shelter in keeping with location	£12,000.00
Berechurch Road Colchester	Colchester	Mon 31/03/14	04/09/13	LCOL135012	Request for a passenger shelter	£10,500.00
B1025 Mersea Road j/w Napier Road, Colchester	Colchester	Sat 30/11/13	04/09/13	LCOL131018	Provide a dedicated right-turn phase - surveys	£3,015.00
Villa Road_ Stanway	Stanway	Thu 24/04/14	04/09/13	LCOL001011	Refreshing centre line road markings & Additional 'SLOW' markings	£6,000.00
New Road, Tiptree, nr Church Rd	Tiptree	Thu 15/05/14	04/09/13	LCOL132049	Zebra crossing to enable route to shops - Design only including PV2 first	£5,000.00
Villa Farm, Arlesford Road.		Fri 24/01/14	04/09/13	LCOL135006	New shelter on very exposed location	£10,000.00
Turner Road, Colchester	Colchester	Mon 17/02/14	04/09/13	LCOL135008	Passenger shelter	£5,000.00
Between Millers Lane / Lucy Lane South Zebra Crossing Location - A1124 London Road		Thu 27/02/14	04/09/13	LCOL132035	Investigate provision of centre refuge to crossing	£1,000.00
Stanway Garage Zebra Crossing Location - A1124 London Road	Stanway	Wed 12/03/14	04/09/13	LCOL132036	Add Pedestrian Crossing signs - design	£1,000.00
Straight Road/Queens Head Road Junction		Mon 14/04/14	04/09/13	LCOL132039	Add T Junction signage x2, Add carriageway SLOW marking - design	£500.00
Straight Road/Horkesley Road Junction		Mon 14/04/14	04/09/13	LCOL132041	Add T Junction signage x2, Add carriageway SLOW marking - design	£500.00
Hawthorn Avenue, Colchester	Colchester	Fri 04/04/14	04/09/13	LCOL132050	Zebra crossing and railing installation along the length of Hawthorn Avenue outside the school, making good of footway - Design only including PV2 first	£10,000.00
Bus Stop: 1500IM2006, St Margaret's Cross, Address: School Road, Langham.	Langham	Sun 01/06/14	04/09/13	LCOL135013	Formalise the location of the stop add raised/dropped kerbs as required - design	£1,000.00
Bus Stop: 1500LANGWIYK, Perry Lane. Address: Perry Lane Langham.	Langham	Sun 01/06/14	04/09/13	LCOL135014	Formalise the location of the stop add raised/dropped kerbs as required - design	£1,000.00
Bus Stop 1500IM20V2, Chapel Road, Address: Chapel Road, Langham	Langham	Sun 01/06/14	04/09/13	LCOL135015	Formalise the location of the stop add raised/dropped kerbs as required - design	£1,000.00
Bus Stop :1500IM2005, The Shepherd and Dog. Address: Moor Road, Langham	Langham	Sun 01/06/14	04/09/13	LCOL135016	Formalise the location of the stop add raised/dropped kerbs as required - design	£1,000.00
Bus Stop 1500IM20100, Community Centre, Address: School Road, Langham	Langham	Sun 01/06/14	04/09/13	LCOL135017	Formalise the location of the stop add raised/dropped kerbs as required - design	£1,000.00
Dedham Road, Boxted	Boxted	Mon 20/10/14	04/09/13	LCOL132043	Add T Junction sign and adding School carriageway markings - TRO. 2 x, carriageway SLOW marking - feasibility	£1,000.00
Drury Arms, Shrub End, Colchester	Colchester	Mon 08/12/14	04/09/13	LCOL132042	Extension of traffic island, repositioning KLB and additional lining improvements to assist drivers in aligning long vehicles - feasibility	£1,500.00
Station Road, Wakes Colne	Wakes Colne	Tue 31/03/15	04/09/13	LCOL132046	footway and traffic calming - Structure Options survey, Geotechnical Survey and feasibility study	£9,000.00
Blackberry Road junction with Winstree Road, Stanway	Stanway	Mon 31/03/14	04/09/13	LCOL131019	Undertake a joint review of site with RSE and D&C to establish possible change of junction priority.	£5,000.00
B1022 Maldon Road j w Braxted Park Road		Mon 31/03/14	04/09/13	LCOL131020	Undertake options study with RSE into junction redesign.	£5,000.00
Cancelled Butt Road to Norman Way		Thu 11/12/14	04/09/13	LCOL134002	Signs and lining - design	£2,000.00
Hospital Lane to Sheepen Road Via Colchester Institute		N/a	04/09/13	LCOL134003	Existing footpath - conversion and signing and lining - design	£2,000.00
Forge Street, Crown street Dedham	Dedham	Thu 13/02/14	04/09/13	LCOL135009	Yellow bus cage and no waiting plate to enforce restrictions	£1,425.00
Halstead Rd between London rd and King Cole Road		Fri 20/06/14	04/09/13	LCOL135011	Identify, mark and install new bus infrastructure at bus stops	£2,000.00
B1022 Maldon Road j/w Braxted Park Road		on hold	04/09/13	LCOL131020	Undertake options study with RSE into junction redesign.	£5,000.00
Junction of the Earls Colne Road with Chapel Road, Great Tey	Great Tey	Tue 08/04/14	04/09/13	LCOL132047	Signs and lines works, a full kerbed footway - to the nearside of the spur to give pedestrians a traffic free area to walk on	£2,000.00
Spring Lane Roundabout, Colchester	Colchester	Fri 13/03/15	04/09/13	LCOL131015	1. Improve the approach to junction with a high Polished Stone Value (PSV) material. 2. Cut back vegetation on the nearside at the roundabout. 3. Cut back/remove vegetation on southern section of the roundabout. 4. Refresh road markings and replace road studs as required. 5. Provide 'Side road ahead' warning sign east of junction with Maltings Farm.	£40,641.00
A134 Barrack Street / Hythe Hill j/w Port Lane, Colchester	Colchester	Fri 27/03/15	04/09/13	LCOL131016	1. Refresh existing road markings 2. Narrow existing footway to 1.5m to maintain vehicle parking.	£20,695.00

	Straight Road Boxted and Langham Road Boxted	Boxted	Mon 16/06/14	04/09/13	LCOL132037	Add Directional Signage opposite junction, Replace and reposition Give Sign (larger size), add carriageway SLOW marking - design	£1,000.00
	B1022 - Maldon road Tiptree	Tiptree	Wed 27/05/15	04/09/13	LCOL132038	Footway & Pedestrian Crossing Works -design	£5,000.00
	Straight Road/Langham Road/Pepper Road Junction		Mon 16/06/14	04/09/13	LCOL132040	Add Cross Road sign, Add carriageway SLOW marking - design	£500.00
	Gilberd School, Brinkley Grove Road		Mon 12/05/14	04/09/13	LCOL132048	PV2 completed - suggesting a pedestrian refuge or zebra crossing should be considered - Design only	£10,000.00
	B1022, Colchester Zoo Access		Wed 16/04/14	04/09/13	LCOL132051	Improve Access - Design Only	£8,000.00
	Boxted Road		Thu 12/03/15	04/09/13	LCOL132052	VAS	£8,500.00
	Severalls Lane		Wed 13/05/15	04/09/13	LCOL132053	VAS	£8,500.00
	Land Lane, Colchester	Colchester	Sun 01/06/14	04/09/13	LCOL133001	Dropped kerb, there is a dropped kerb at the end of Land Lane, there is no dropped kerb opposite - design	£1,000.00
	Colchester Urban areas		N/a	04/09/13	LCOL134001	Comprehensive signage of all routes and realign suitable Routes for main urban area of Colchester - Design	£20,000.00
	Tollgate Roundabout		Fri 08/08/14	16/12/13	LCOL131021	Preliminary Design and Investigation - Install a new yellow backed chevron, Remove vegetation in order to improve the forward visibility of the toucan crossing facility; Install signing 'shared cycle and pedestrian facility' and provide a dropped kerb.	£3,000.00
	B1027 junction with B1028, Wivenhoe	Wivenhoe	Fri 13/03/15	16/12/13	LCOL131022	Preliminary Design and Investigation -Provide a 'distance ahead to hazard' sub-plate , Undertake substantial vegetation removal, Provide a 'junction ahead of non primary route' sign indicating the layout of the road ahead	£2,000.00
	Highwoods Approach Roundabout jw Eastwood Drive		Mon 21/04/14	16/12/13	LCOL131023	Preliminary Design and Investigation - Install 'Slow' carriageway markings, Refresh and increase the width of the give-way lining, Increase width of central hatching	£1,000.00
	A1124 Essex Yeomanry Way / Eight Ash Green Interchange		Thu 21/08/14	16/12/13	LCOL131024	Preliminary Design and Investigation - Install a new yellow backed chevron sign, Remove vegetation, Remove vegetation from within the southeast quadrant of the centre island of the roundabout.	£3,000.00
	Brinkley Grove roundabout with Gavin Way, Brinkley Grove		Fri 12/09/14	16/12/13	LCOL131025	Preliminary Design and Investigation - Reposition the eastbound 'roundabout ahead' sign; Reposition the westbound 'roundabout ahead' sign; Provide 'distance ahead to hazard' sub-plate; Undertake vegetation removal.	£3,000.00
	Gosbecks Road / Layer Road / Berechurch Hall Road		Fri 01/08/14	16/12/13	LCOL131026	Preliminary Design and Investigation - Reduce the carriageway width to a single vehicle capacity, increasing the central hatched areas adjacent to the centre island; Reduce the carriageway width on the south-west bound approach to a single vehicle capacity.	£5,000.00
	Boxted Road, Mile End		Mon 17/03/14	16/12/13	LCOL132016	1) Add 30mph roundel adjacent to 30mph signage, 2) Add 30mph repeater signage within unlit section of road - Design	£500.00
Cancelled	The Folley, Wivenhoe	Wivenhoe	N/A	16/12/13	LCOL134005	Signage - design	£500.00
	Church Lane Lexden	Lexden	Mon 14/04/14	16/12/13	LCOL132020	Undertake footway improvement works (raise kerbs, lower crossfall, make good subbase and surface) design	£3,500.00
	Grove Road, Tiptree	Tiptree	Mon 31/03/14	16/12/13	LCOL132045	Add 2 No. Playground Signs and posts either side of Playground - design	£500.00
	Grove Road, Tiptree	Tiptree	Mon 31/03/14	16/12/13	LCOL132083	20mph Speed Limit - design	£1,000.00
	Severalls Lane near the Honorius drive bus stop		Mon 09/06/14	16/12/13	LCOL132084	Pedestrian Refuge & Footway Works - design	£1,000.00
	London Road in Stanway	Stanway	Fri 07/03/14	16/12/13	LCOL132014	SID - design	£500.00
	Butt Road (coming up either Beaconsfield or Salisbury Aves.)		Fri 28/11/14	16/12/13	LCOL132085	Zebra Crossing - design	£2,500.00
Cancelled	Layer road		NA	16/12/13	LCOL135047	Clearway marking and no waiting plate - design	£150.00
	Ash Way		Fri 29/08/14	16/12/13	LCOL135048	23m clearway marking no waiting plate - design	£150.00
Cancelled	Barrington Road, Colchester	Colchester	Fri 13/06/14	16/12/13	LCOL136006	Add carriageway lines and markings - design	£150.00
<b>2014/15 Budget Capital Schemes</b>							
	Hundred Lane (Cage Lane/ Chapel Road Boxted)	Boxted	Thu 12/02/15	15/04/14	LCOL142033	i) Add 2 No. "Unsuitable for HGVs" sign for Chapel Road/Straight Road Junction, ii) Add 2 No. "Unsuitable for HGVs" sign for Cage Lane/Straight Road Junction	£3,000
	Plume Avenue, Colchester	Colchester	Tue 28/10/14	15/04/14	LCOL142038	10m of Pedestrian Guard Rail outside entrance	£2,500
	Boxted Road, Mile End		Mon 15/12/14	15/04/14	LCOL142042	Add 30mph roundel adjacent to 30mph signage	£1,700
	Wivenhoe High Street	Wivenhoe	Wed 27/05/15	15/04/14	LCOL142015	All road markings within 25m of the bridge re-designed and remarked to reflect the removal of the priority scheme; Removal of 3 signs, signposts, foundations and disconnecting the electrical connections at these locations. As well as the subsequent footway r	£14,000
	Grove Road, Tiptree	Tiptree	Tue 31/03/15	15/04/14	LCOL142044	Add 2 No. Playground Signs and posts either side of Playground	£2,500
Cancelled	New Road, Tiptree, nr Church Rd	Tiptree	Thu 15/05/14	15/04/14	LCOL142049	Zebra crossing to enable route to shops - Design previously approved	£50,000
	B1025 Mersea Road i/w Napier Road, Colchester	Colchester	Fri 30/01/15	15/04/14	LCOL142001	Video Survey = £1500, and Signal Reconfiguration = £3500	£5,000
Cancelled	Blackberry Road junction with Winstree Road, Stanway	Stanway	Thu 03/07/14	15/04/14	LCOL141002	Undertake a joint review of site with RSE and D&C to establish possible change of junction priority. The outline design (£13,200) and studs (Ecology, Topo and trial holes) £13,000	£26,200
	Gilberd School, Brinkley Grove Road		Fri 27/03/15	15/04/14	LCOL142030	Pedestrian crossing & associated widening - This scheme needs to be coordinated with school moving entrance/exit.- <b>Designed</b>	£120,000
	The Strood		Thu 02/10/14	15/04/14	LCOL142023	Review of options	£2,000
	Salcott		Mon 15/12/14	15/04/14	LCOL142031	To reduce the size of the sign and brief report into the possible options we have for consolidating the signage	£500
Cancelled	Mason Close, Colchester	Colchester	Wed 17/09/14	15/04/14	LCOL142032	Two accesses with dropped kerbs and tactile paving	£3,000
	Spring Lane and Bakers Lane		Mon 01/06/15	15/04/14	LCOL142034	Full Safety Review of route and costed remedial highway works	£10,000
	Mersea Road 362 to 392		Mon 17/11/14	15/04/14	LCOL142035	Add 4 No Bell bollards, some kerbing works, construct concrete running strip (1m wide x 100m long), make good the verge and erect post and rail fence (55m long) to protect verge	£22,000
	Moorside, Colchester		Thu 30/10/14	15/04/14	LCOL142036	Provide drop kerbing and tactile paving	£1,500
	B1022 - Maldon road Tiptree	Tiptree	Tue 31/03/15	15/04/14	LCOL142037	Footway Design	£5,000
	Mill Road Colchester	Colchester	Fri 13/03/15	15/04/14	LCOL142011	Formalisation and upgrading of pedestrian refuge. Safety Assessment recommended to ascertain possible further measures	£6,500
	B1022 Colchester Zoo Access, Stanway	Stanway	Tue 16/12/14	15/04/14	LCOL142039	Improve the signage on the approach to the junction. The LHP would also like the right turn and redirection investigated	£7,375
	London Road in Stanway	Stanway	Mon 09/03/15	15/04/14	LCOL142040	SID on or near lighting column 40. Design complete	£8,500
	Stanway Garage Zebra Crossing, London Road, Stanway	Stanway	Mon 09/03/15	15/04/14	LCOL142041	Add Pedestrian Crossing signs. Design Complete	£3,700
	Butt Road (coming up either Beaconsfield or Salisbury Aves.)		Fri 20/03/15	15/04/14	LCOL142060	Zebra Crossing	£35,000
	Hawthorn Avenue, Colchester	Colchester	Fri 27/03/15	15/04/14	LCOL142043	replace the existing pedestrian island with a Zebra Crossing	£35,000
	Boxted Road, op Whitebeam Close		Fri 06/02/15	15/04/14	LCOL145003	2 flags and poles	£1,000
	Chapel rd. Stanway	Stanway	Thu 16/10/14	15/04/14	LCOL145004	New Bus shelter required	£5,000
	Fieways stanway Blackberry Rd Colchester	Colchester	Thu 16/10/14	15/04/14	LCOL145005	New Bus shelter required	£5,000
	Barrington Road		Mon 30/03/15	15/04/14	LCOL146001	Add carriageway lines and markings	£2,000
	Eastern Boundary pathway by Braiswick Golf Course. Footpath 37 Colchester and Footpath 36 Myland	Mayland	Mon 30/03/15	15/04/14	LCOL148001	Hard surface public footpath	£5,000
	Ransom Road, Tiptree WORKS	Tiptree	Fri 20/03/15	15/04/14	LCOL142045	To make the southern end of Ransom Road (from the access to No. 42 Ransom Road to Church Road) one way in a westerly direction. Design previously approved	£45,000
	Junction of the Earls Colne Road with Chappel Road, Great Tey	Great Tey	Fri 19/12/14	15/04/14	LCOL142046	Signs and lines works, a full kerbed footway - to the nearside of the spur to give pedestrians a traffic free area to walk on Design previously approved	£18,000
	Severalls Lane near the Honorius drive bus stop		Tue 31/03/15	15/04/14	LCOL142047	Pedestrian Refuge & Footway Works - Design previously approved	£5,000
Cancelled	Church Lane Lexden	Lexden	Thu 25/09/14	15/04/14	LCOL142048	Undertake footway improvement works (raise kerbs, lower crossfall, make good subbase and surface) Design previously approved	£21,500
	Bus Stop: 1500IM2006, St Margaret's Cross, Address: School Road, Langham.	Langham	On Hold	15/04/14	LCOL145006	Formalise the location of the stop add raised/dropped kerbs as required - Design previously approved	£5,000

	Bus Stop: 1500IM2007, Perry Lane, Address: Perry Lane, Langham.	Langham	On Hold	15/04/14	LCOL145007	Formalise the location of the stop add raised/dropped kerbs as required - Design previously approved	£5,000
Cancelled	Bus Stop 1500IM20V2, Chapel Road, Address: Chapel Road, Langham	Langham	Mon 13/10/14	15/04/14	LCOL145008	Formalise the location of the stop add raised/dropped kerbs as required - Design previously approved	£5,000
Cancelled	Bus Stop :1500IM2005, The Shepherd and Dog. Address: Moor Road, Langham	Langham	Mon 13/10/14	15/04/14	LCOL145009	Formalise the location of the stop add raised/dropped kerbs as required - Design previously approved	£5,000
Cancelled	Bus Stop 1500IM20100, Community Centre, Address: School Road, Langham	Langham	Mon 13/10/14	15/04/14	LCOL145010	Formalise the location of the stop add raised/dropped kerbs as required - Design previously approved	£5,000
Cancelled	Layer Road		NA	15/04/14	LCOL145011	Clearway marking and no waiting plate - Design previously approved	£1,500
	Ash Way		Mon 13/10/14	15/04/14	LCOL145012	23m clearway marking no waiting plate - Design previously approved	£1,500
	B1022 Maldon Road j/w Braxted Park Road		On Hold	25/06/14	LCOL141004	Review agreed once the Bollards have been installed from Maldon LHP on ongoing issues	13,500.00
	Brinkley Grove roundabout with Gavin Way, Brinkley Grove		Tue 03/03/15	25/06/14	LCOL141005	i) Reposition the eastbound 'roundabout ahead' sign to diagram 610, so that it is located further west along Brinkley Grove Road; ii) Reposition the westbound 'roundabout ahead' sign to diagram 610, so that it is located further east along Brinkley Grove Road, prior to the bend in the road as indicated in photo 2. iii) Provide 'distance ahead to hazard' sub-plate to diagram 572 for each repositioned 'roundabout ahead' warning sign, iv) Undertaken vegetation removal on the westbound nearside of Brinkley Grove Road in order to improve the forward visibility of both the roundabout and 'roundabout ahead' warning sign. <b>Preliminary Design and Investigation Cost £3,000 previously agreed</b>	13,000.00
	Gosbecks Road / Layer Road / Berechurch Hall Road		Fri 19/06/15	25/06/14	LCOL141006	i) Reduce the carriageway width on the south-west bound approach to Layer Road / Gosbecks Road roundabout to a single vehicle capacity at the give-way line, by increasing the central hatched areas adjacent to the centre island; ii) Reduce the carriageway width on the south-west bound approach to Layer Road / Berechurch Hall Road roundabout to a single vehicle capacity at the give-way line, but increasing the central hatched areas adjacent to the centre island; and iii) Increase the diameter of the mini roundabout dome markings and circulatory arrows to diagram 1003.4 at both mini roundabouts; iv) Refresh the give-way markings to diagram 1003.1 on each approach; v) Undertake carriageway resurfacing throughout both mini-roundabouts <b>Preliminary Design and Investigation Cost £5,000 previously agreed</b>	32,000.00
	A1124 Essex Yeomanry Way / Eight Ash Green Interchange		Fri 27/02/15	25/06/14	LCOL141007	i) Install a new yellow backed chevron sign (with an increased yellow reflectivity border) for northbound road users on the A1124 approaching the roundabout circulatory. This sign is to be positioned further east within the roundabout island. ii) Remove vegetation on the A1124 northbound nearside approach to roundabout circulatory in order to increase the forward visibility of the nearside lane give-way markings. iii) Remove vegetation from within the southeast quadrant of the centre island of the roundabout. <b>Preliminary Design and Investigation Cost £3,000 previously agreed</b>	15,500.00
	Colchester sites - yet to be confirmed		Mon 30/03/15	25/06/14	LCOL141003	Design work and investigation required to produce schemes for 2015-16	20,000.00
	Abberton Road, Fingringhoe	Fingringhoe	Mon 01/06/15	25/06/14	LCOL142068	Buffer zone of 40mph - two terminal signs and junction warning sign and TRO	3,000.00
	London Road Copford	Copford	Mon 30/03/15	25/06/14	LCOL142061	Zebra Crossing	35,000.00
	Roach Vale		Fri 29/05/15	25/06/14	LCOL142071 (LCOL142069 was incorrect)	20mph	12,200.00
	West Bergholt: Roads around Heathlands Primary School	West Bergholt	Fri 29/05/15	25/06/14	LCOL142070	To install 20mph limits	7,000.00
	Bowes Road and Broome Grove, Wivenhoe	Wivenhoe	Fri 29/05/15	25/06/14	LCOL142024	20 mph	10,000.00
	London Rd junction Lucy Lane South		Fri 07/11/14	25/06/14	LCOL142002	Redesign very busy area - feasibility study	5,000.00
	North End of Brinkley Grove Road/Mill Road/		Thu 26/02/15	25/06/14	LCOL144002	Feasibility study into Safe cycle route from Myland School along Mill Road to Brinkley Grove Road for the Gilbert School.	4,000.00
	Cymbeline Way		Tue 16/12/14	25/06/14	LCOL142071	Surface applied balotone in the lining material to increase reflectivity	6,000.00
	Meyrick Crescent		Tue 31/03/15	25/06/14	LCOL142026	Speed humps (x6)	35,000.00
	B1023 through Inworth		Fri 06/03/15	25/06/14	LCOL142018	Installation of village Gateways	11,000.00
	Wellesley Road		Fri 23/01/15	25/06/14	LCOL142008	Review into options requested	2,000.00
	Butt Road (coming up either Beaconsfield or Salisbury Aves.)		Fri 20/03/15	25/06/14	LCOL142060	Zebra Crossing	11,000.00
	Drury Arms, Shrub End, Colchester	Colchester	Tue 09/12/14	25/06/14	LCOL142073	Extension of traffic island, repositioning KLB and additional lining improvements to assist drivers in aligning long vehicles.	6,500.00
	Straight Road/Langham Road/Pepper Road Junction		Fri 14/11/14	25/06/14	LCOL142074	Add Cross Road sign, 2) Add carriageway SLOW marking	6,200.00
	Severalls Lane near the Honorius drive bus stop		Mon 02/03/15	25/06/14	LCOL142075	Pedestrian Refuge & Footway Works - Design previously approved	25,000.00
	Stanway Garage Zebra Crossing, London Road, Stanway	Stanway	Thu 05/03/15	25/06/14	LCOL142041	Add Pedestrian Crossing signs. Design Complete	1,100.00
	Layer Bridge, Layer de la Haye	Layer De La Haye	Fri 13/02/15	25/06/14	LCOL142063	Advertising and then implementation (pending the statutory process) of a reduction in speed limit and feasibility and design to improve awareness of the Bridge and bend and the need to check speeds further	20,000.00
	Land Lane, Colchester	Colchester	Thu 12/02/15	25/06/14	LCOL142077	Dropped kerb, there is a dropped kerb at the end of Land Lane, there is no dropped kerb opposite	3,250.00
	Tesco at The Hythe Colchester	Colchester	On Hold	25/06/14	LCOL142064	Investigation into the signals and how they are operating	2,000.00
	Sainsbury store, Stanway 3308502A	Stanway	Tue 31/03/15	25/06/14	LCOL145013	2 back to back RTPI signs o/s the new Sainsbury store Stanway, visible from each passenger shelter	17,000.00
	Iceni way		Wed 11/02/15	25/06/14	LCOL145014	2 bay passenger shelter	5,000.00
cancelled	The Thomas Lord Audley School		NA	25/06/14	LCOL144003	60 cycle compound - part funding if the school will match	5,537.00
	Junction of East Donyland FP2 and 2Colchester FP163		On Hold	25/06/14	LCOL148002	Install bridge footbridge (6-8 metres) and boardwalk and steps approx. 50 metres	7,500.00
	Birch - Footpath 19, Bridleway 23, Bridleway 36, Bridleway 35	Birch	On Hold	25/06/14	LCOL148003	Drainage, vegetation clearance, bridge, reinstatement or diversion	10,000.00
	Dale Close		Tue 31/03/15	25/06/14	LCOL142069	20 MPH - speed survey also required for Lucy Lane North for possible inclusion. Dale Close speed results show good compliance with an average speed of around 20 mph	5,000.00
	Highwoods Approach Roundabout jw Eastwood Drive		Tue 31/03/15	30/09/14	LCOL141009	i) Install 'Slow' carriageway markings to diagram 1024 for eastbound road users along Eastwood Drive; ii) Refresh and increase the width of the give-way lining for eastbound road users along Eastwood Drive; iii) Increase width of central hatching for eastbound road users along Eastwood Drive in order to provide increased deflection for road users entering onto the roundabout circulatory.	£2,100
Cancelled	Straight Road/Horkesley Road Junction		Fri 31/10/14	30/09/14	LCOL142087	Add T Junction signage x2, 2) Add carriageway SLOW marking	£6,000
	Scythe Way and Regency Green, off King Harold Rd in Prettygate, Colchester		Fri 26/06/15	30/09/14	LCOL142006	20mph limit	£4,000
	Wilkin Drive, Tiptree	Tiptree	Mon 09/02/15	30/09/14	LCOL142066	Install signage at the width restriction. There is existing give way lining at this point and the signage should maintain the existing right of way.	£3,500
	Birch Park - Heckfordbridge		Tue 31/03/15	30/09/14	LCOL142110	"not suitable for HGV" signage	£1,000
	Brittania Mews / Berechurch road		Mon 30/03/15	30/09/14	LCOL142058	People have fallen here as the ratio of camber at this location is so severe that mobility scooters and push chairs are at a severe risk of tipping over.	£4,000

	Straight Road/Queens Head Road Junction		Tue 31/03/15	30/09/14	LCOL142088	Add T Junction signage x2, 2) Add carriageway SLOW marking (design complete DC1997)	£6,000
	Birch Glen Estate		Fri 26/06/15	30/09/14	LCOL142005	20 mph	£10,000
	The Willows Estate		Fri 26/06/15	30/09/14	LCOL142004	20 mph	£4,000
Cancelled	Berechurch Road – Bus Shelter - opposite Chariot Drive		Fri 23/01/15	30/09/14	LCOL145020	Site clearance, materials and construction of the hard standing for the bus shelter and then moving the shelter. Add making good the shared footway	£10,000
	Layer Road, Colchester – zebra crossing close to junction with Icenii Way		Fri 16/01/15	30/09/14	LCOL146002	ardrails to be installed on the North-East side of the crossing please to guide pedestrians to the crossing and also to prevent children from running out into the road.	£3,000
	Main Road, Wormingford		Fri 27/02/15	30/09/14	LCOL145018	Two shelters - a new one and one to replace the very old one on the opposite side of the road	£16,000
	Shrub End (the town side of the Norman Way junction )		Wed 25/03/15	30/09/14	LCOL145019	Bus Shelter	£8,500
	University to Wivenhoe CycleLink		Thu 09/06/16	25/06/14	LCOL142072	LMP Contribution to Cycle Link	250,000.00
	Drury Arms, Shrub End, Colchester		Tue 09/12/14	13/01/15	LCOL142073	Change of scope agreed with County Member - Following design of the island extensions at this location, it has been accepted that the proposed solution needs further investigation. It has been agreed by the County member to change the schem from implementation to proceed with suitable alternative option studies to investigate feasible solutions	6,500.00
	Berechurch Road – Bus Shelter - opposite Chariot Drive		to be programmed	13/01/15	LCOL142025	Change of scope agreed with County Member. Initially for construction of the hard standing for the bus shelter, then moving the shelter and making good the shared footway. It is felt that if we move the shelter back, passengers won't be able to see the bus coming and therefore won't use the shelter. Suggested to change scope to build a cycle path that goes around the back of the shelter	10,000.00

### 2013/14 Revenue Schemes

	Circular Road South, Colchester	Colchester	07/11/12	02/10/12		Speed Survey	£250.00
	Fordham	Fordham	07/11/12	04/12/12		Speed Survey	£2,000.00
	London Road, Stanway Colchester	Stanway	03/06/13	01/03/13		Speed Survey	£200.00
	Maldon Road Colchester	Colchester	21/01/14	08/04/13	LCOL002013	Remove dropped kerb	£2,000.00
	Brinkley Grove Road		05/06/13	15/05/13	LCOL001014	Speed Survey	£800.00
	Butt Road		21/11/13	04/09/13	LCOL132014	PV2 survey for crossing	£890.00
	Halstead Road, Colchester	Colchester	21/11/13	04/09/13	LCOL132019	PV2 survey for crossing/20mph required before scheme is validated	£890.00
	Roach Vale, Colchester	Colchester	21/11/13	04/09/13	LCOL132022	Speed survey for looking into 20mph speed limit	£210.00
	Wivenhoe Road, Alresford		21/11/13	04/09/13	LCOL132023	Speed survey for lower speed limit consideration	£210.00
	centre of Dedham village	Dedham	21/11/13	04/09/13	LCOL132024	Speed survey for looking at 20mph limit in the centre of village	£210.00
	Monkwick - Maypole		21/11/13	04/09/13	LCOL132025	Speed survey for 20 mph zones consideration	£210.00
	Birch glen -Maypole		21/11/13	04/09/13	LCOL132026	Speed survey for 20 mph zones consideration	£210.00
	The willows - Maypole		21/11/13	04/09/13	LCOL132027	Speed survey for 20 mph zones consideration	£210.00
	Severalls Lane near the Honorius drive bus stop		21/11/13	04/09/13	LCOL132028	PV2 survey for crossing required before scheme is validated	£890.00
	Grove Road Tiptree	Tiptree	21/11/13	04/09/13	LCOL132029	Speed survey for 20 mph speed limit consideration	£210.00
	Mill Road Colchester	Colchester	21/11/13	04/09/13	LCOL132030	PV2 survey for crossing required before scheme is validated	£890.00
	School Road Copford	Copford	21/11/13	04/09/13	LCOL132031	PV2 survey for crossing required before scheme is validated	£890.00
	London Road Copford	Copford	21/11/13	04/09/13	LCOL132032	PV2 survey for crossing required before scheme is validated	£890.00
	A1124 from Foxes Corner to Ford Street		21/11/13	04/09/13	LCOL132033	Speed survey	£210.00
	St Christopher Rd and near Anthony Close, Colchester, both junctions with St John's Rd		21/11/13	04/09/13	LCOL132034	PV2 surveys for crossing required before scheme is validated	£890.00
	B1022 - Maldon road Tiptree	Tiptree	21/11/13	04/09/13	LCOL132044	PV2 surveys for crossing required before scheme is validated	£890.00
	Layer Road		21/11/13	04/09/13	LCOL132060	Speed survey due to speeding concerns	£210.00
	Circular Road North		21/11/13	04/09/13	LCOL132061	PV2 survey for crossing	£890.00
	Shoebriidge's Hill, Dedham	Dedham	28/01/14	16/12/13	LCOL132069R	Speed survey for VAS consideration	£210.00
	Ardleigh Road, Dedham	Dedham	28/01/14	16/12/13	LCOL132070R	Speed survey due to perceived speeding	£210.00
	Dale Close, Stanway	Stanway	04/02/14	16/12/13	LCOL132067R	Speed survey for 20 mph consideration	£210.00
	Halstead Road, Aldham	Aldham	04/02/14	16/12/13	LCOL132068R	Speed survey to see if the new limit is being adhered to	£210.00
	Maldon Road/Butts Road ladder roads		10/02/14	16/12/13	LCOL132071R	Six speed surveys for 20 mph consideration	£1,260.00
	B1025/Mersea road		12/02/14	16/12/13	LCOL132072R	Speed survey for VAS consideration	£210.00
	Westlands, Prettigate, Colchester	Colchester	05/02/14	16/12/13	LCOL132073R	Two speed surveys for 20 mph consideration	£420.00
	Van Dyck and Gainsborough Rd		28/01/14	16/12/13	LCOL132075R	Two speed surveys for 20 mph consideration	£420.00
	Bowes Road and Broome Grove, Wivenhoe		05/02/14	16/12/13	LCOL132075R	Two speed surveys for 20 mph consideration	£420.00
	Walnut Tree Way Estate		10/02/14	16/12/13	LCOL132078R	Five speed surveys for 20 mph consideration	£1,050.00
	Grove Road, Tiptree	Tiptree	29/01/14	16/12/13	LCOL132080R	Speed survey with a view to future traffic calming measures (or reduction of speed limit) being introduced	£210.00
	West Bergholt: Roads around Heathlands Primary School	West Bergholt	29/01/14	16/12/13	LCOL132081R	Three Speed Survey in regard to introduction of 20mph scheme, Roads around West Bergholt Primary School	£630.00
	Dyers Road		10/02/14	16/12/13	LCOL132086R	Speed survey for VAS scheme	£210.00
	Church Road, Tiptree (at Asda)	Tiptree	29/01/14	16/12/13	LCOL132057R	PV2 for Zebra crossing consideration	£890.00
	Greenfield Drive, Great Tey	Great Tey	26/03/14	16/12/13	LCOL132082R	Two speed surveys for VAS consideration	£420.00
Cancelled	B1026 – Layer Road		N/A	16/12/13	LCOL132079R	Speed survey due to perceived speeding and accidents	£210.00

### 2014/15 Revenue Schemes

Cancelled	Elmstead road		N/A	15/04/14	LCOL142016	Speed survey for traffic calming consideration	£210
	Riverside Estate		25/06/14	15/04/14	LCOL142050	Four speed surveys for consideration of 20 mph	£840
	Abberton Road, Fingringhoe	Fingringhoe	26/06/14	15/04/14	LCOL142051	speed survey for speed reduction	£210
	Elmstead Road, Wivenhoe	Wivenhoe	26/06/14	15/04/14	LCOL142052	Speed survey for consideration of traffic calming	£210
	Hazelton Rd, Colchester	Colchester	25/06/14	15/04/14	LCOL142053	Speed survey due to yellow lines being installed which is believed to have increased traffic speed	£210
	Blackheath Colchester	Colchester	25/06/14	15/04/14	LCOL142054	Speed survey for VAS consideration	£210
	Monkwick Estate		25/06/14	15/04/14	LCOL142003	Two speed surveys for consideration of 20mph	£420
	The Willows Estate		24/06/14	15/04/14	LCOL142004	Speed survey to consider traffic calming	£210
	Birch Glen Estate		24/06/14	15/04/14	LCOL142005	Speed survey to consider traffic calming	£210
	Scythe Way and Regency Green, off King Harold Rd in Prettigate, Colchester		25/06/14	15/04/14	LCOL142006	Two speed surveys for consideration of 20 mph	£420
	Villa Road, Winstree Road, Blackberry Road, Peartree Road, Tollgate Drive, Peace Road, New farm Road, Wheatfield Road		07/07/14	15/04/14	LCOL142009	Request for consideration of 20 mph	£1,680
	Mill Road, Mile End		24/06/14	15/04/14	LCOL142010	Speed survey for traffic calming consideration	£210
	Wood Lane/A1124, Eight Ash Green, Fordham Heath		03/06/14	15/04/14	LCOL142012	PV2 for pedestrian Crossing consideration	£890
	Circular Road North		22/06/14	15/04/14	LCOL142055	PV2 for pedestrian Crossing consideration (July/august)	£890
Cancelled	Spring Lane and the Residential estate roads on either side		NA	15/04/14	LCOL142014	Three speed surveys to ascertain current speeds	£630
	Vine Drive, Wivenhoe FEASIBILITY	Wivenhoe	Fri 27/03/15	15/04/14	LCOL142056	The proposal is to widen the Colchester Road end of the layby to reduce any obstruction caused by vehicles parking at this end. feasibility study	£3,000.00
	Chapel Road and Winstree Road, Stanway	Stanway	Fri 30/05/14	15/04/14	LCOL142057	Weight limit restrictions of 7.5t except for access, survey	£2,500.00
	Colchester District		N/A	15/04/14	LCOL144004	Strategic review of Colchester Cycling schemes	£13,000
	Mill Road towards Maximus Drive.		Thu 09/10/14	25/06/2014	LCOL142019	Speed survey for VAS	£210
	Goojerat Road/ Circular Road West		Thu 13/11/14	25/06/2014	LCOL142021	PV2 for crossing consideration	£890
	A1124 Eight Ash Green	Eight Ash Green	Wed 08/10/14	25/06/2014	LCOL142022	Speed survey for VAS	£210
	Meyrick Crescent		Wed 08/10/14	25/06/2014	LCOL142026	Speed survey for traffic calming consideration	£210
	Spring Lane & cul-de-sacs off , Eight Ash green	Eight Ash Green	Thu 16/10/14	25/06/2014	LCOL142027	Two speed surveys for 20 mph consideration	£420
Cancelled	Berechurch Road		NA	25/06/2014	LCOL142029	Speed survey for traffic calming consideration	£210
	Berechurch Road / Chariot Drive		Tue 11/11/14	25/06/2014	LCOL142059	PV2 for crossing consideration	£890
	Broman's Road, East Mersea	East Mersea	26/09/14	25/06/2014	LCOL142062	Speed survey for 20mph consideration	£210
	Whitehall Hall Road/Old Heath road		Thu 13/11/14	25/06/2014	LCOL142065	PV2 for crossing consideration	£890
	Surveys in Colchester		Thu 24/10/13	25/06/2014	LCOL142067	Sites that arise to be sent to chair and arranged	£10,000



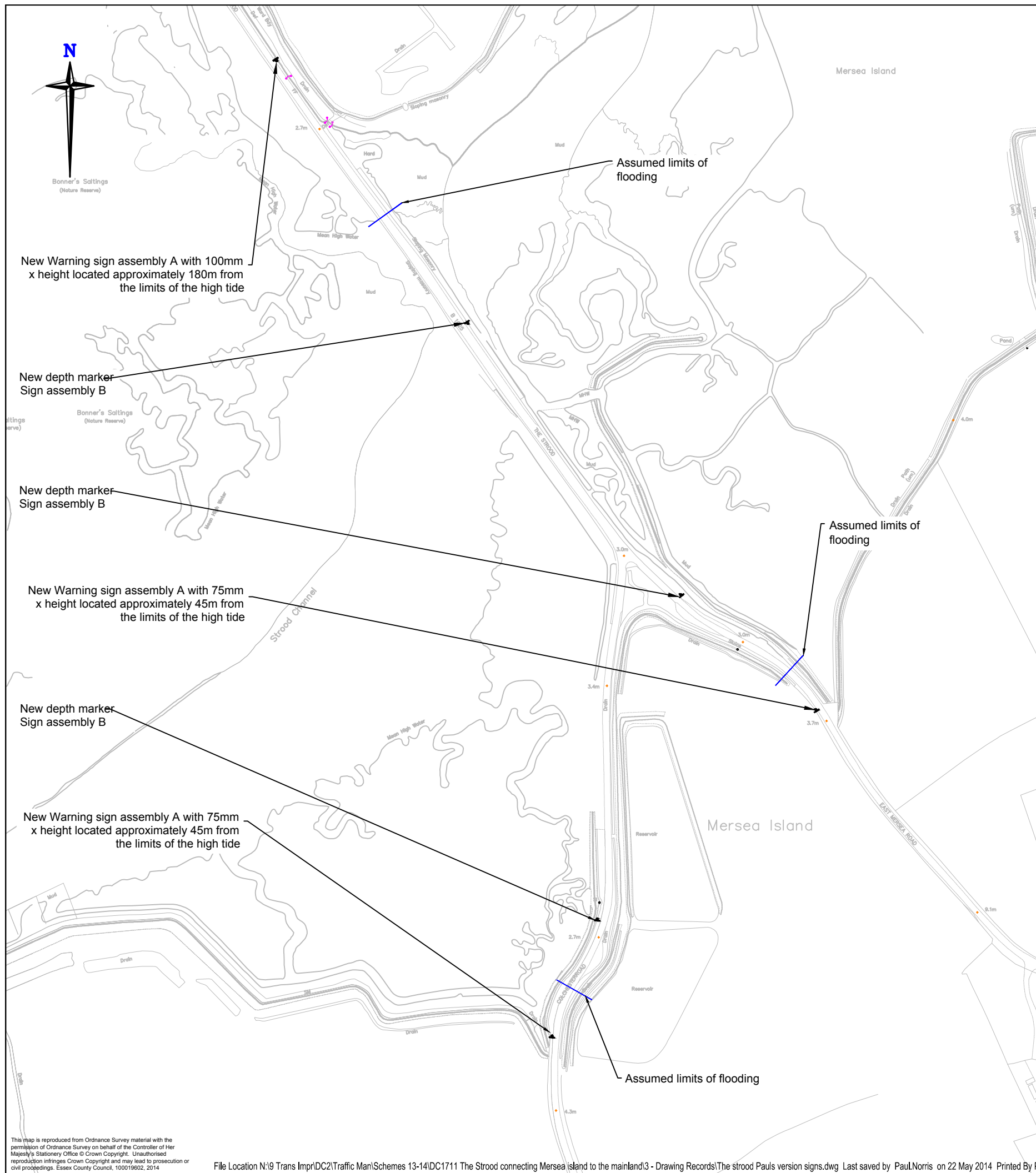
### **Technical note: DC1711 The Strood – High Tide Warning Options**

Following the site meeting on 02/01/2014 at 8:30 am between Cllr John Jowers, Cllr Ann Brown, Rob Macdonald (HLO) and Paul Norris (Engineer) at the above location, the following was agreed:

- Option 2 + 3 in the report (Dynamic flood warning / information signs) were discounted on the grounds of cost and the potential for litigation.
- Option 1 (Depth Gauges) and additional static warning signs were also discussed and it was agreed that this would be beneficial. It was explained that the gauges would be set to display the water depth at the deepest point on the crossing and that these would be located close to the limits of the flooding so road users would be informed of the depth at the deepest point. It was agreed that a topographical survey would be undertaken to ensure that the deepest point was established and following this the depth gauges should be installed as soon as possible.
- Cllr Jowers expressed concern with regard to night time incidents, and reported that these can/have resulted in serious injury. Various options were discussed to address this issue and it was agreed that the RNLI and Essex Fire and Rescue would be contacted, and a method of recording incidents involving the high tide would be agreed. This will allow us to properly quantify the magnitude of this issue and any common factors (i.e. time of day/night, direction of travel, driver origin, fog, rain, etc.). This data should allow us to draw conclusions on the factors which contribute to these incidents, and therefore apply measures to reduce these risks.

#### **Actions**

- HLO to agree funding for survey + detailed design at next LHP meeting.
- Following completion of the survey + design, costs for implementation to be confirmed and agreed with LHP.
- HLO to discuss incident monitoring process with LHP and if funding for this is agreed it should be implemented as soon as possible, and reviewed annually with a view to agreeing appropriate measures to address any patterns that emerge in due course.

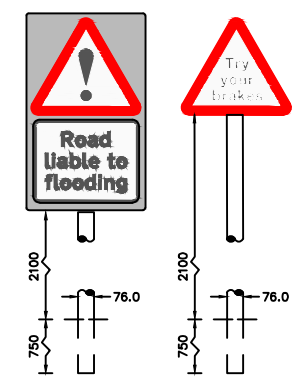


**Sign Assembly A**

New depth markers to be located as shown - depth to be calculated relative to lowest point on the carriageway throughout the crossing and vertical position to be set accordingly for all depth markers. (for example if the the lowest point is 300mm below the existing ground level at the depth marker location, 300mm must be removed from the bottom of the marker, to allow the depth at the lowest point to be shown).

Sign to be mounted on 1 new 76mm post on a 600mm square foundation at the back of footway adjacent to the post and rail fence (on the footway side).

Metric depth markers were considered however under the Traffic Sign Regulations and General Directions 2002 - where metric measurements are used imperial must also be shown, this results in the depth marker being increased in width from 225mm to 615mm which is considered to be to intrusive on the footway not so visible from a distance.



Front View Rear View

Scheme Ref.	Sign	Ref.	Sign	h-height
562.563	Warning	562.563	Warning	100.0
554.1	Warning	554.1	Warning	75.0

**Sign Assembly B**

New warning sign assemblies to diagram 562.563 and 554.1 be located as shown - to be mounted at 2.3m with 450mm clearance to carriageway on a 76mm post, foundation to be 800mm square. 'try your brakes' warning sign to be provided on the back of the signs to face traffic leaving the causeway.

These shall be of size 750mm on two signs located on Mersea Island and 900mm on the mainland - where trimming may be required to ensure suitable forward visibility.

- General Construction Notes**
- Do not scale. This drawing is to be read in conjunction with all other contract drawings and documents. This drawing is feasibility only.
  - All works to be in accordance with the Department of Transport's Specification for Highway Works and Essex County Council Specifications and Standard Construction Drawings.
  - All traffic signs and lines are to comply with The Traffic Signs Regulations and General Directions 2002, or to receive site specific approval.
  - Location of all new signs to be verified on site prior to erection. When erected sign plates shall have a desirable clearance of 1.0m from the edge of the carriageway. The absolute minimum clearance from the sign plate to the edge of carriageway shall be 450mm. Following erection of signs any overhanging trees or bushes shall be lopped or trimmed to ensure proper visibility to the sign. Where such trees or bushes are located in private property the Contractor shall not trim or lop the trees or bushes until the permission of the owner has been obtained for these works.
  - Highway boundary checks are required to establish ownership prior to the erection of any street furniture.

REV.	DATE	AMENDMENT DESCRIPTION	DRAWN	CHECKED

DRAWING STATUS: **FEASIBILITY**



Mark Rowe, Service Director, Essex Highways  
County Hall, Chelmsford, CM1 1QH  
Tel: 0845 6037631 © Essex County Council

SCHEME TITLE: **LOCAL HIGHWAYS PANEL THE STROOD LCOL001012**

DRAWING TITLE: **TIDE WARNING SIGNING FIXED SIGNING OPTION 1**

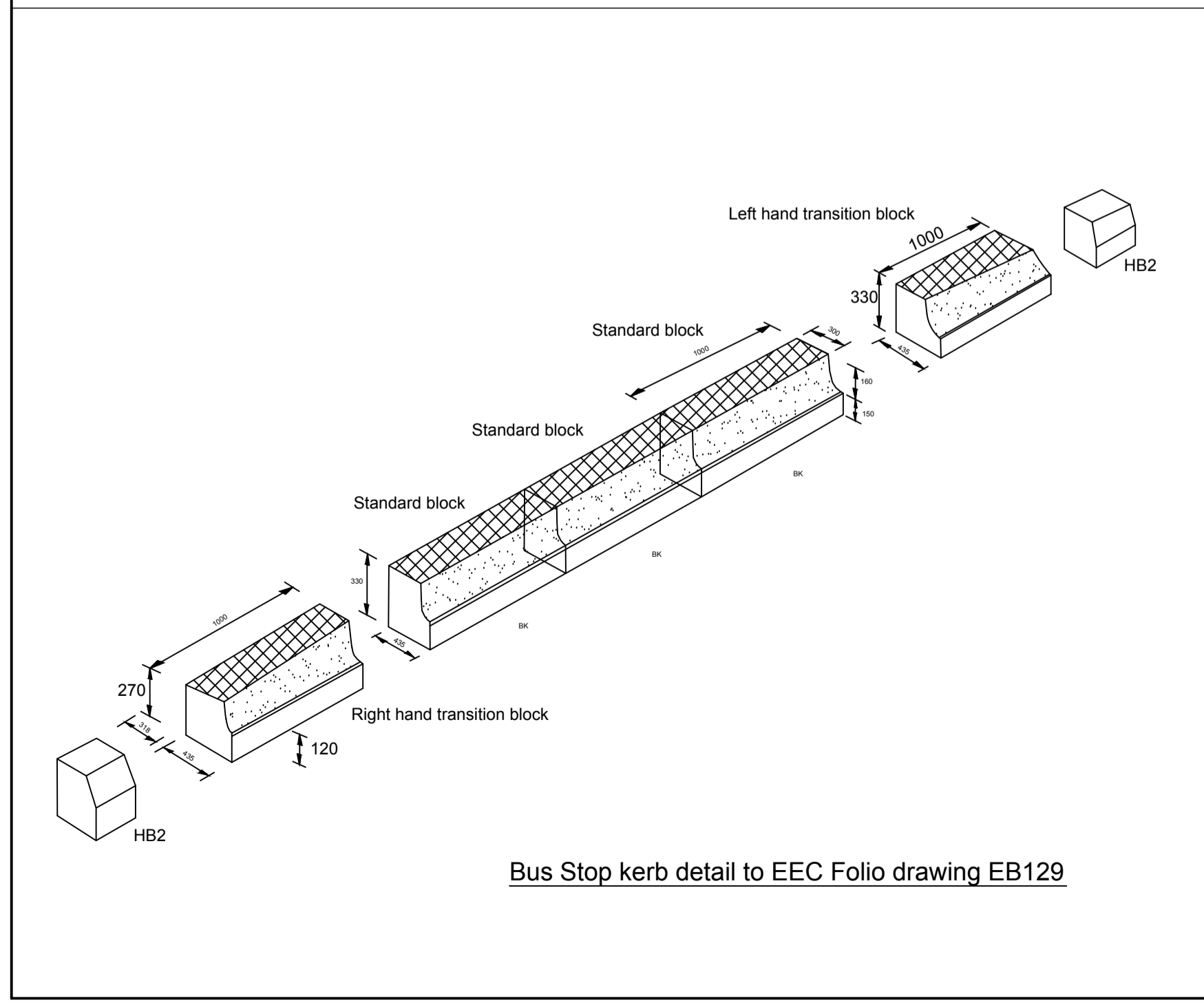
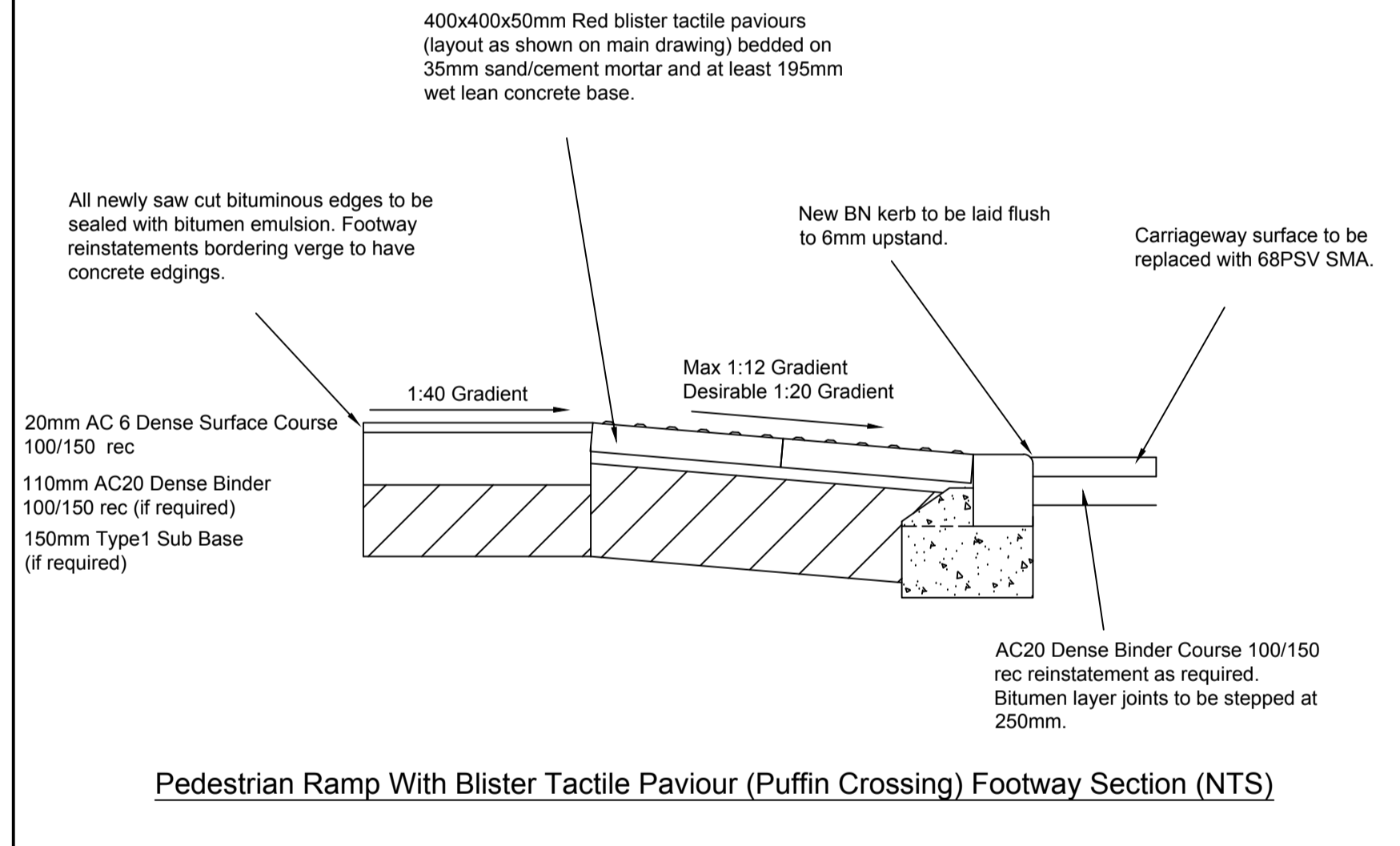
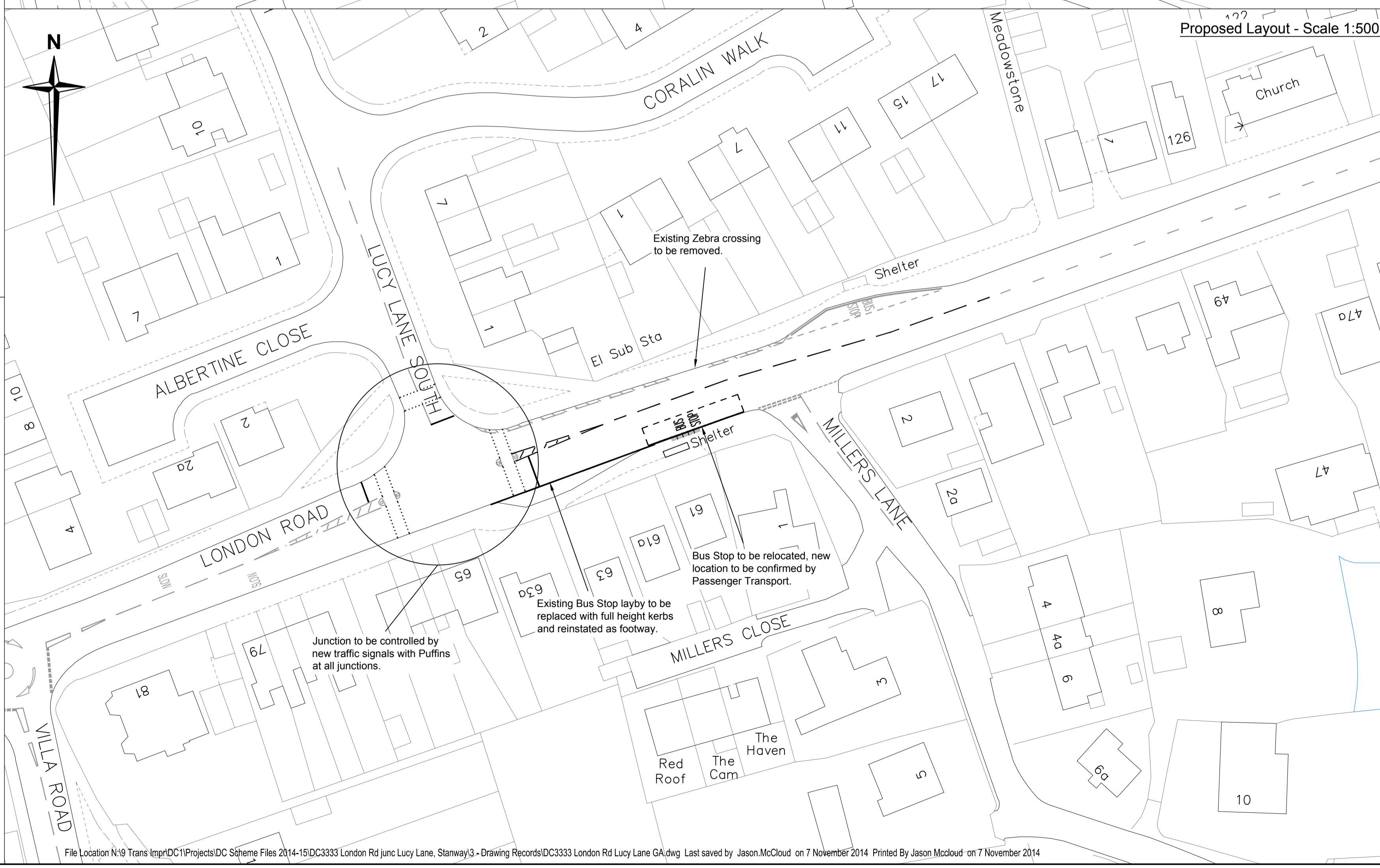
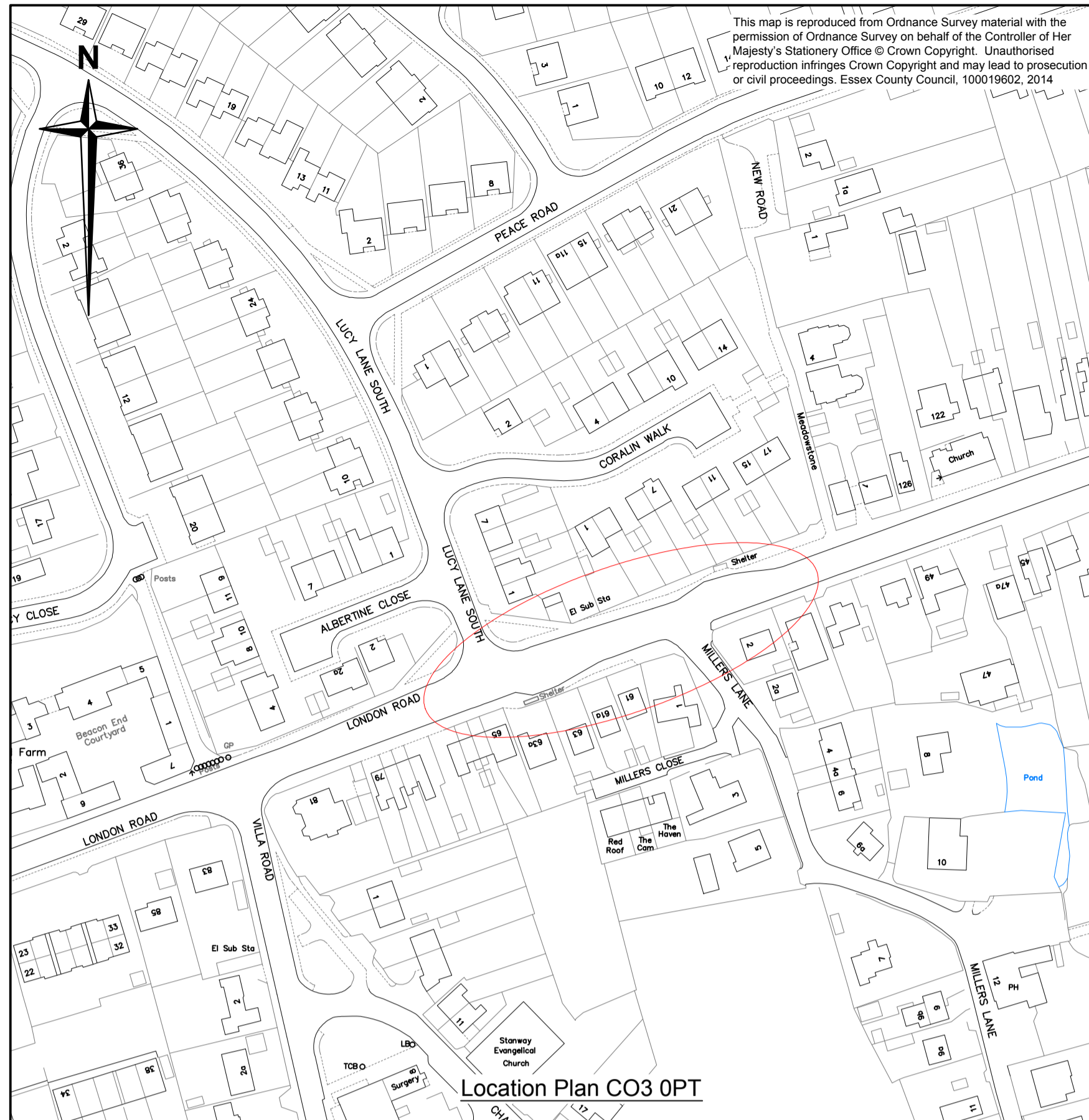
DESIGNED	DRAWN	CHECKED	REVIEWED	APPROVED
PN	PN			

DATE: **MAY 14** DATE: **MAY 14** DATE: DATE: DATE: DATE:

DRAWING LIMITS U.N.O. DIMENSIONS IN MILLIMETRES LEVELS IN METRES SCALE AT A3 (420x297mm) **NTS**

DRAWING No. **DC1711/000/001** REV. **-**

This map is reproduced from Ordnance Survey material with the permission of Ordnance Survey on behalf of the Controller of Her Majesty's Stationery Office © Crown Copyright. Unauthorised reproduction infringes Crown Copyright and may lead to prosecution or civil proceedings. Essex County Council, 100019602, 2014



- Notes
1. Do not scale. This drawing is to be read in conjunction with all other contract drawings and documents.
  2. All works to be in accordance with the Department of Transport Specification for Highway Works and Essex County Council Specifications and Standard Construction Drawings.
  3. All traffic signs and road markings are to comply with The Traffic Signs Regulations and General Directions 2002.
  4. Drawing for consultation purposes only. Signal design to be carried-out by Essex ITS.

Rev.	Date	Description of revision	Drawn	Checked	Review'd	Approv'd

FOR INFORMATION



Ringway Jacobs working in partnership with Essex County Council

Mark Rowe, Service Director, Essex Highways  
County Hall, Chelmsford, CM1 1QH  
Tel: 0845 6037631 © Essex County Council

SCHEME TITLE

**London Rd / Lucy Lane, Stanway Junction Improvements LCOL142002**

DRAWING TITLE

**General Arrangement**

DESIGNED	DRAWN	CHECKED	REVIEWED	APPROVED
JMc	JMc	JJ	JMc	NF
DATE	DATE	DATE	DATE	DATE
Sep 14	Sep 14	03Nov14	07Nov14	07Nov14

DRAWING UNITS U.N.O. DIMENSIONS IN MILLIMETRES LEVELS IN METRES

SCALE AT A1 (841x594mm) As shown

DRAWING No. **DC1-3333-00-001** REV. -